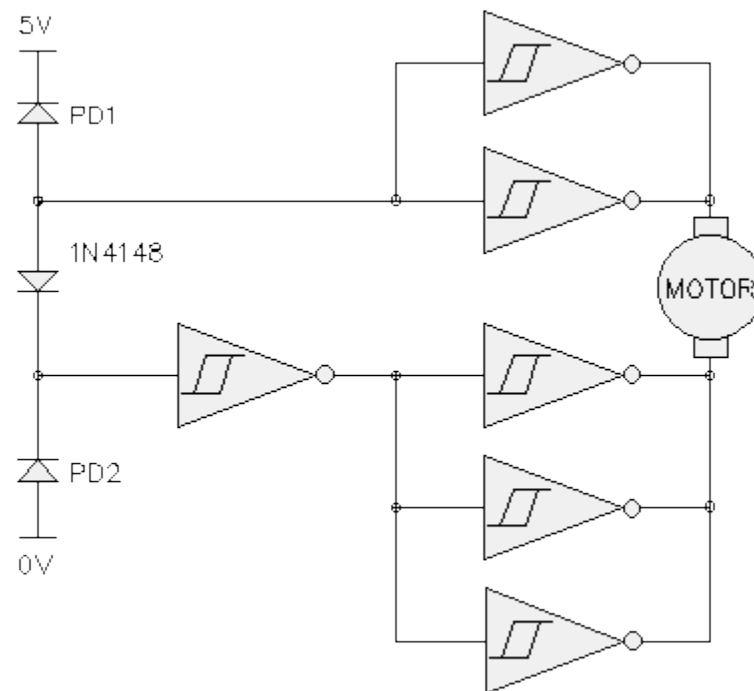


# BEAM HEAD CIRCUITS - THE SC (SCHMITT COMPARATOR) HEAD

---

I'll eventually post an explanation, but in the meantime, here it is:



CS HEAD v4 - Martin Keen modified by Wilf Rigter 11/2001

- 74AC86-based solar head; lights a high-intensity LED when locked on a bright light.
- Very power-efficient solarized head

