

NODAL ANALYSIS

Nodal analysis involves looking at a circuit and determining all the node voltages in the circuit. The voltage at any given node of a circuit is the voltage drop between that node and a reference node (usually ground). Once the node voltages are known any of the currents flowing in the circuit can be determined. The node method offers an organised way of achieving this.

Approach:

Firstly all the nodes in the circuit are counted and identified. Secondly nodes at which the voltage is already known are listed. A set of equations based on the node voltages are formed and these equations are solved for unknown quantities. The set of equations are formed using KCL at each node. The set of simultaneous equations that is produced is then solved. Branch currents can then be found once the node voltages are known. This can be reduced to a series of steps:

Step 1: Identify the nodes

Step 2: Choose a reference node

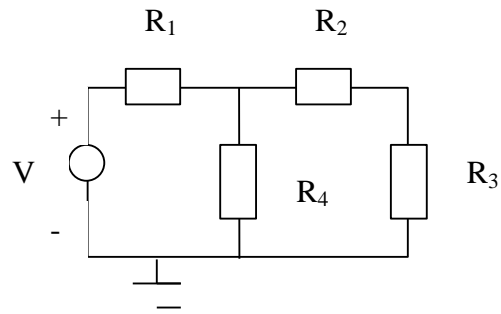
Step 3: Identify which node voltages are known if any

Step 4: Identify the BRANCH currents

Step 5: Use KCL to write an equation for each unknown node voltage

Step 6: Solve the equations

This is best illustrated with an example. Find all currents and voltages in the following circuit using the node method. (In this particular case it can be solved in other ways as well)



Step 1:

There are four nodes in the circuit., A, B, C and D

Step 2:

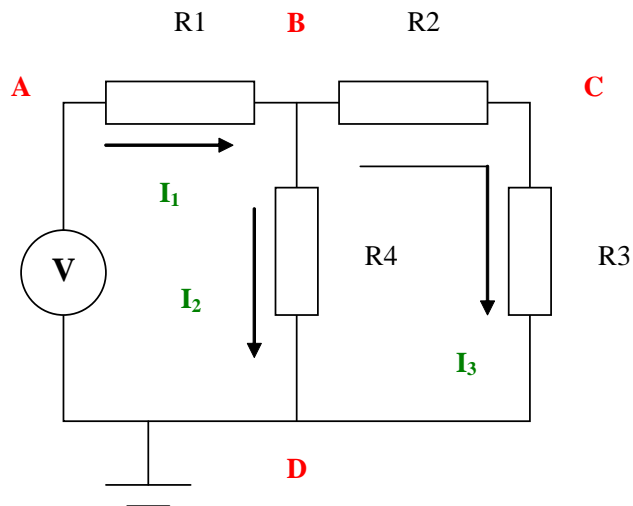
Ground, node D is the reference node.

Step 3:

Node voltage B and C are unknown. Voltage at A is V and at D is 0

Step 4:

The currents are as shown. There are 3 different currents



Step 5:

I need to create two equations so I apply KCL at node B and node C

The statement of KCL for node B is as follows:

$$\frac{V - V_B}{R_1} + \frac{V_C - V_B}{R_2} + \frac{-V_B}{R_4} = 0$$

The statement of KCL for node C is as follows:

$$\frac{V_C - V_B}{R_2} + \frac{-V_B}{R_3} = 0$$

Step 6:

We now have two equations to solve for the two unknowns V_B and V_C . Solving the above two equations we get:

$$V_C = V \frac{R_3 R_4}{R_1 R_2 + R_1 R_3 + R_1 R_4 + R_2 R_4 + R_3 R_4}$$

$$V_B = V \frac{R_4 (R_2 + R_3)}{R_1 R_2 + R_1 R_3 + R_1 R_4 + R_2 R_4 + R_3 R_4}$$

Further Calculations

The node voltages are now all known. From these we can get the branch currents by a simple application of Ohm's Law:

$$I_1 = (V - V_B) / R_1$$

$$I_2 = (V_B - V_C) / R_2$$

$$I_3 = (V_C) / R_3$$

$$I_4 = (V_B) / R_4$$

Source : <http://nprcet.org/e%20content/first/ct.pdf>