

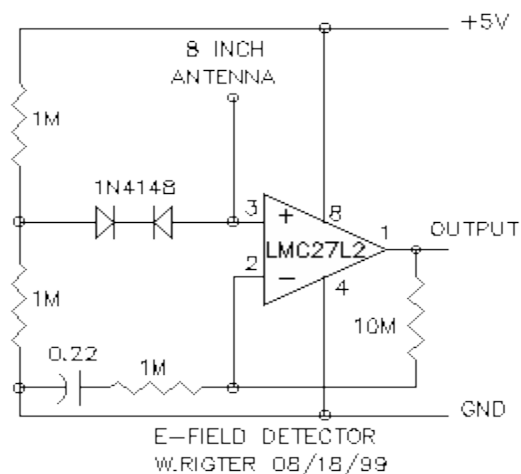
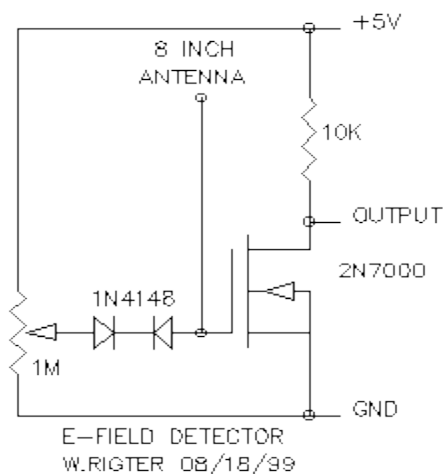
BEAM SENSORS - FIELD (ELECTRIC, CAPACITANCE) SENSORS



Field sensors aren't used much in BEAMbots yet (principally because of the power and complexity some designs require). A couple, though, has been put forward to date (bear in mind that I haven't built either, so you're on your own here...):

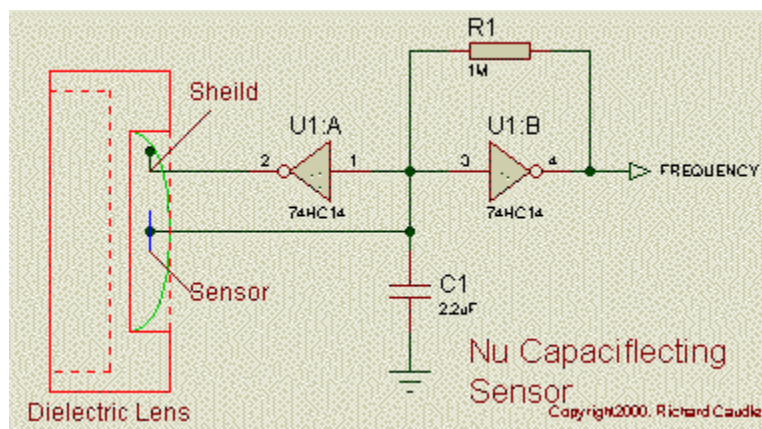
Wilf Rigter's E-sensor

The incomparable Wilf Rigter came up with an E-field detector (well, two variant designs actually) that your bot can use:



Either of these (and just on a hunch, I'd suspect the 2N7000 version is easier to get parts for) should work equally well; note that the human body is a good absorber of stray RF fields, so this sensor should be a good people-detector.

Rich Caudle's capaciflector



Source: http://www.solarbotics.net/library/circuits/sensors_field.html