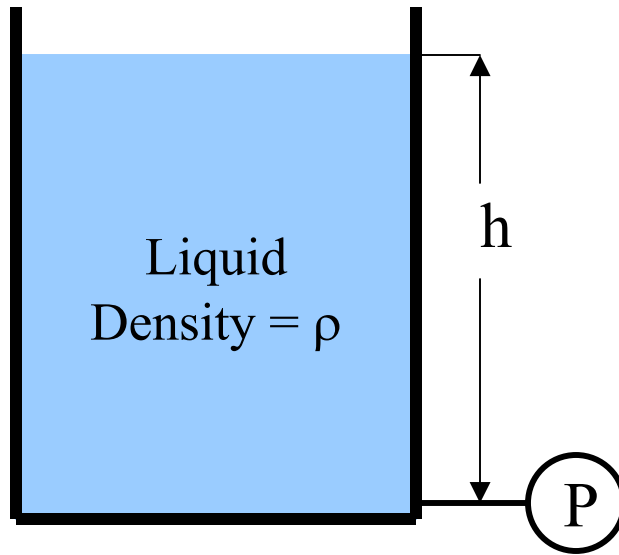


Level

Measurement

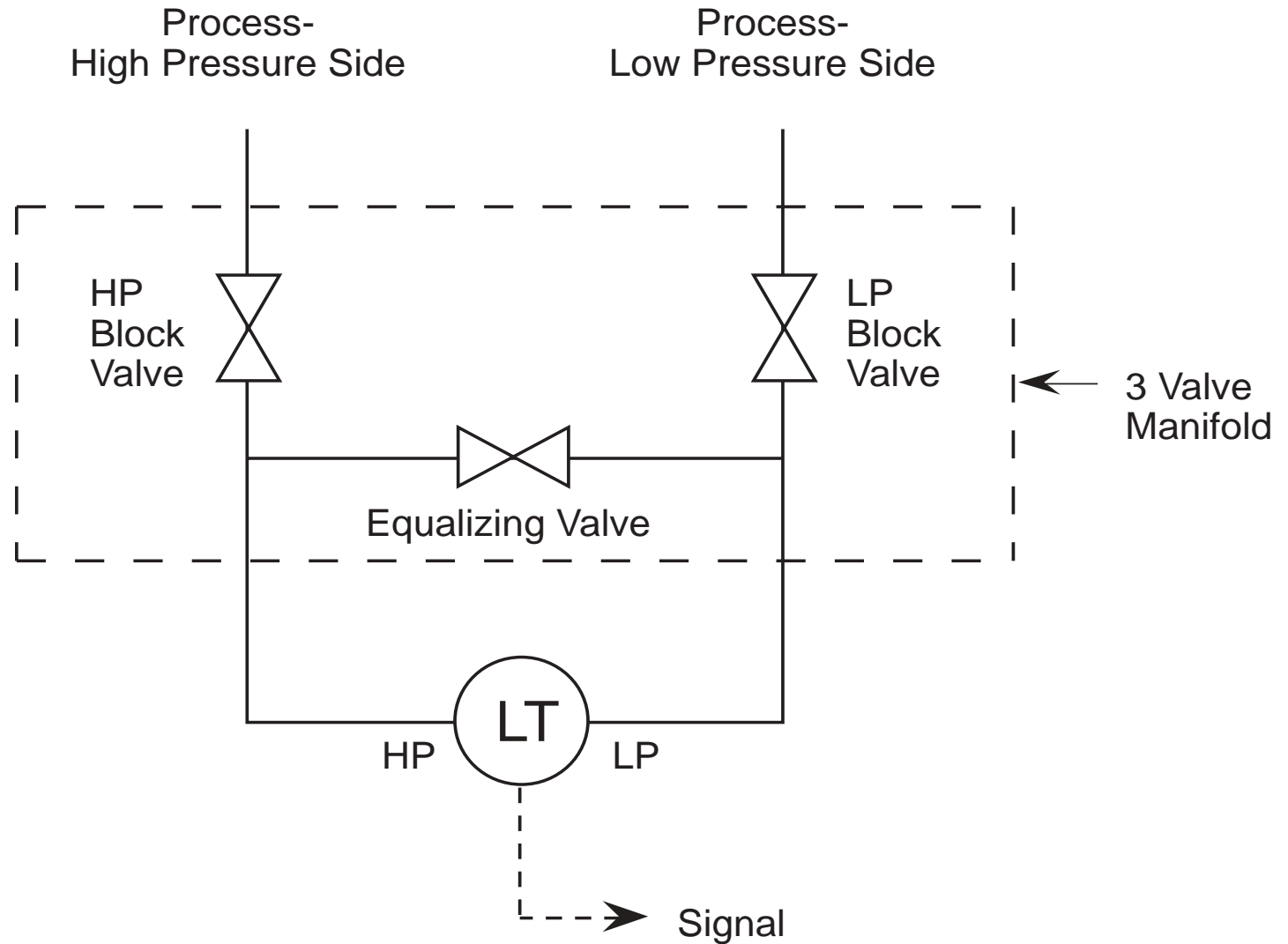


Inferential Level Measurement

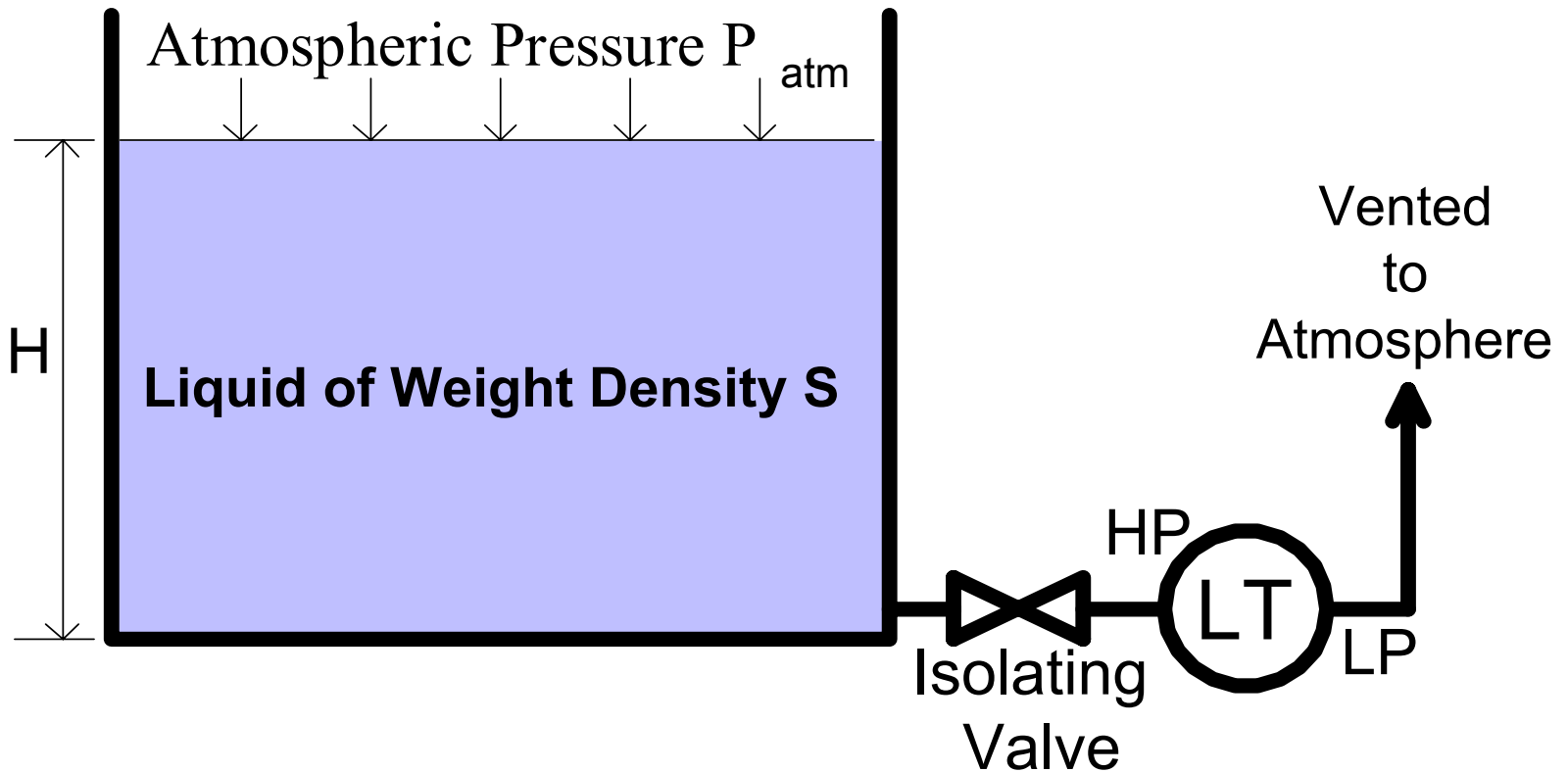


$$P = \rho g h$$

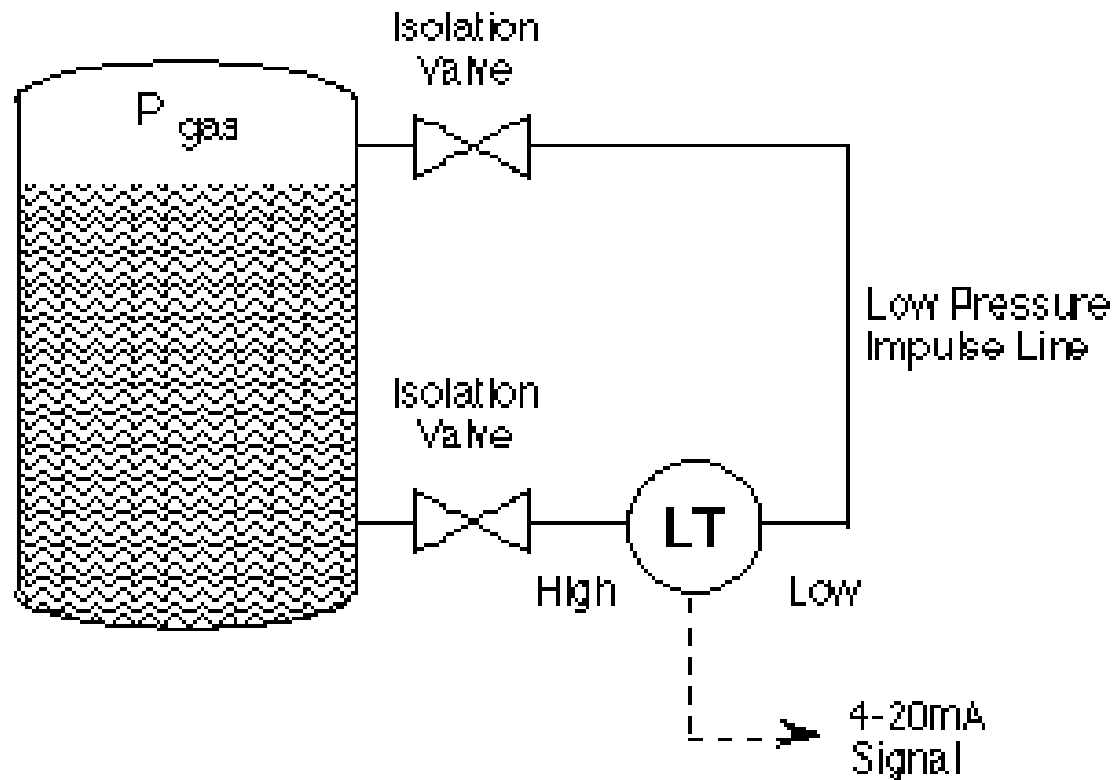
Three Valve Manifold



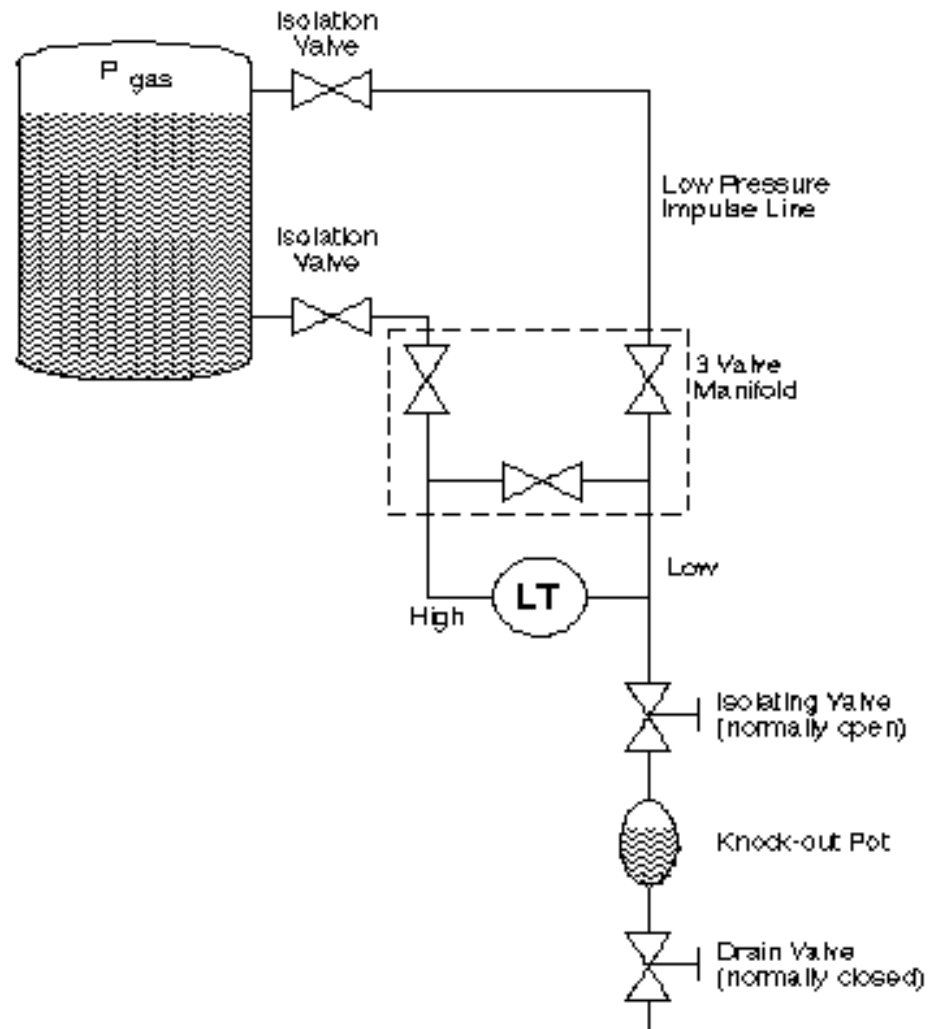
Open Tank Level Measurement



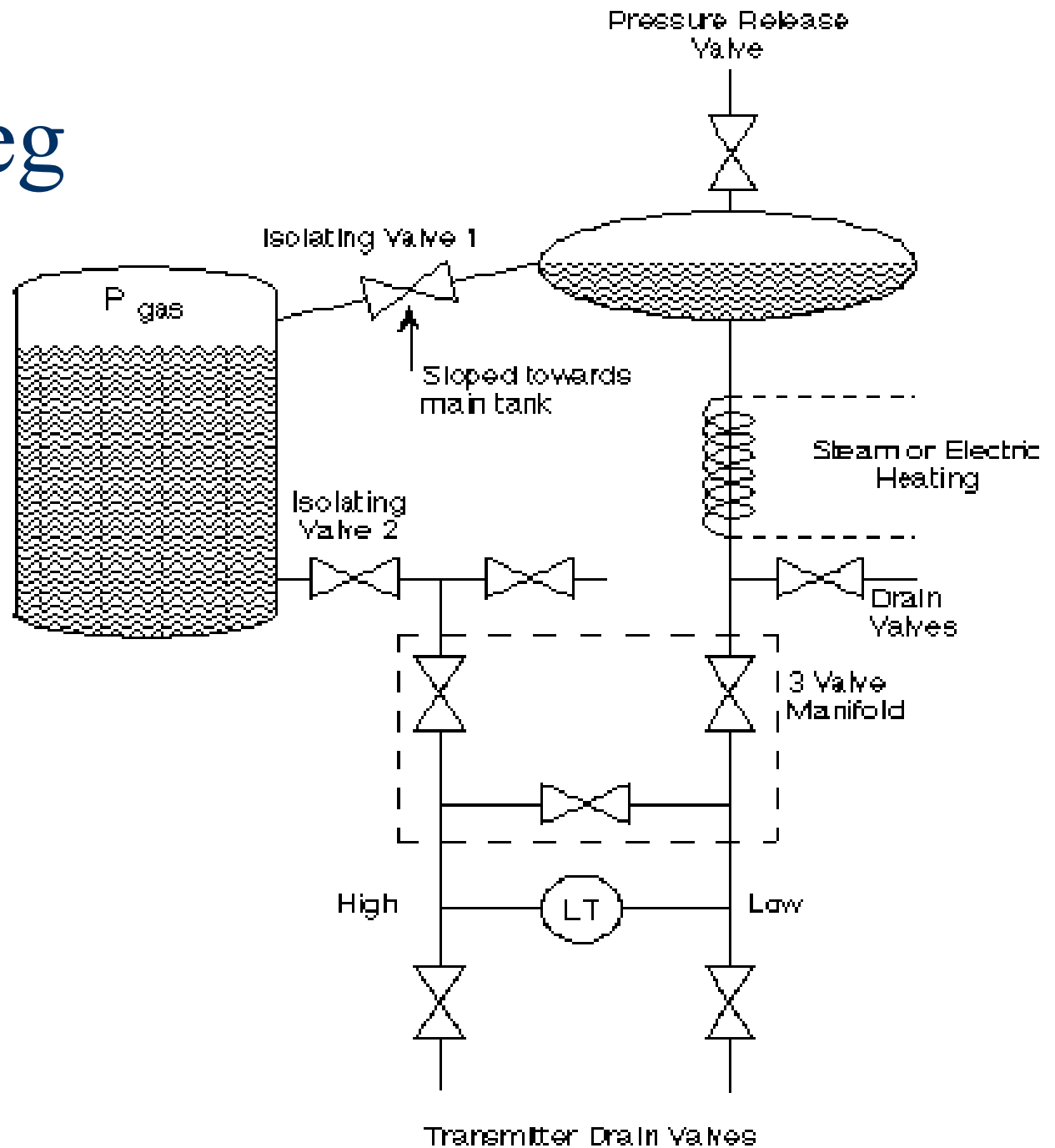
Closed Tank Level Measurement



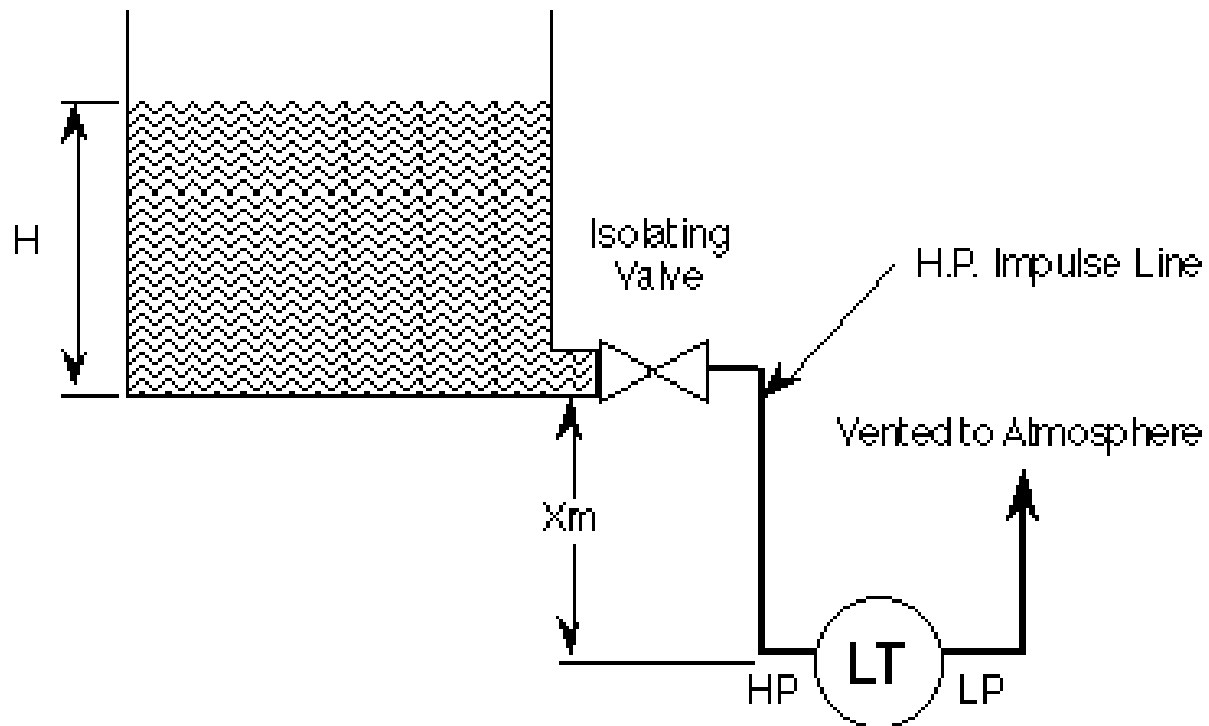
Dry Leg System



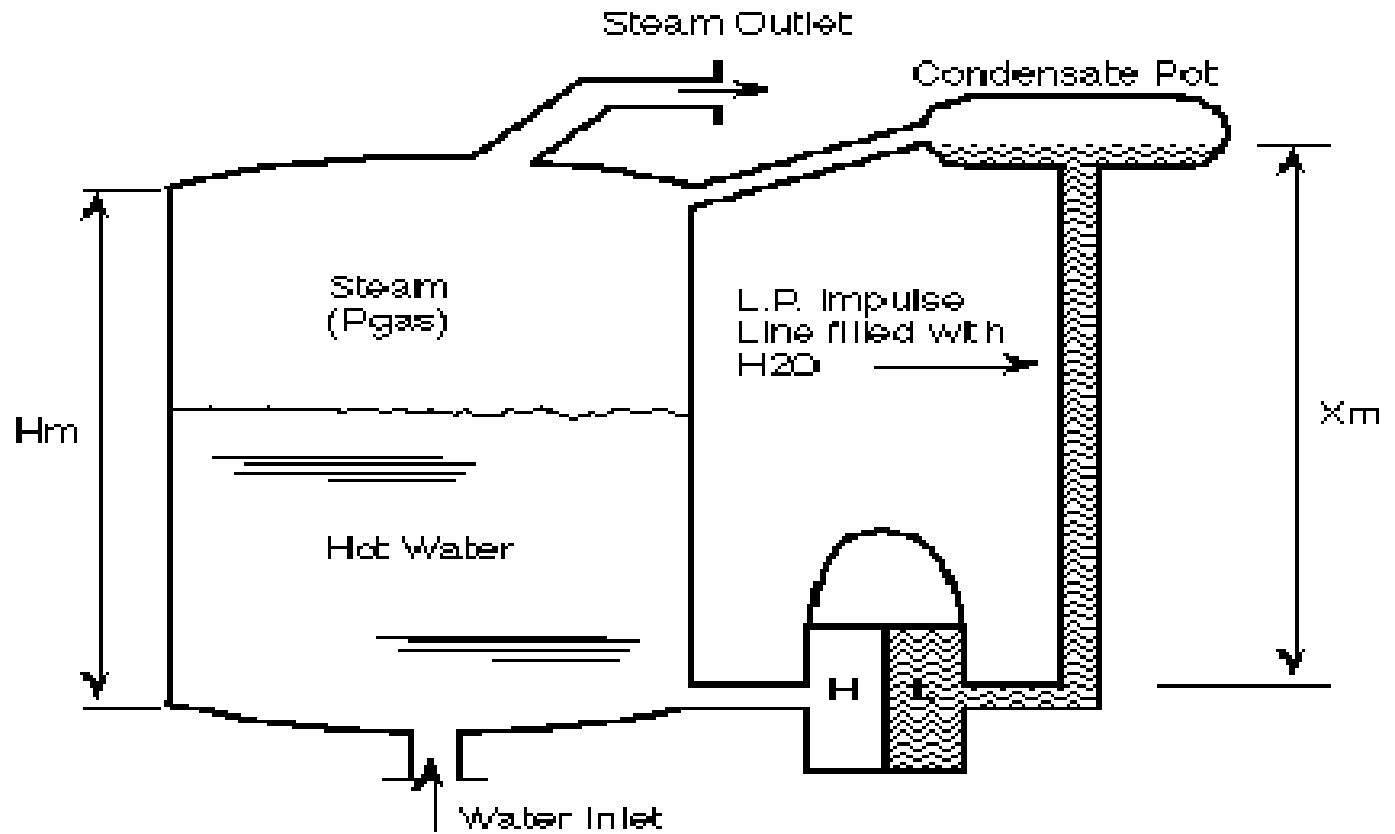
Wet Leg



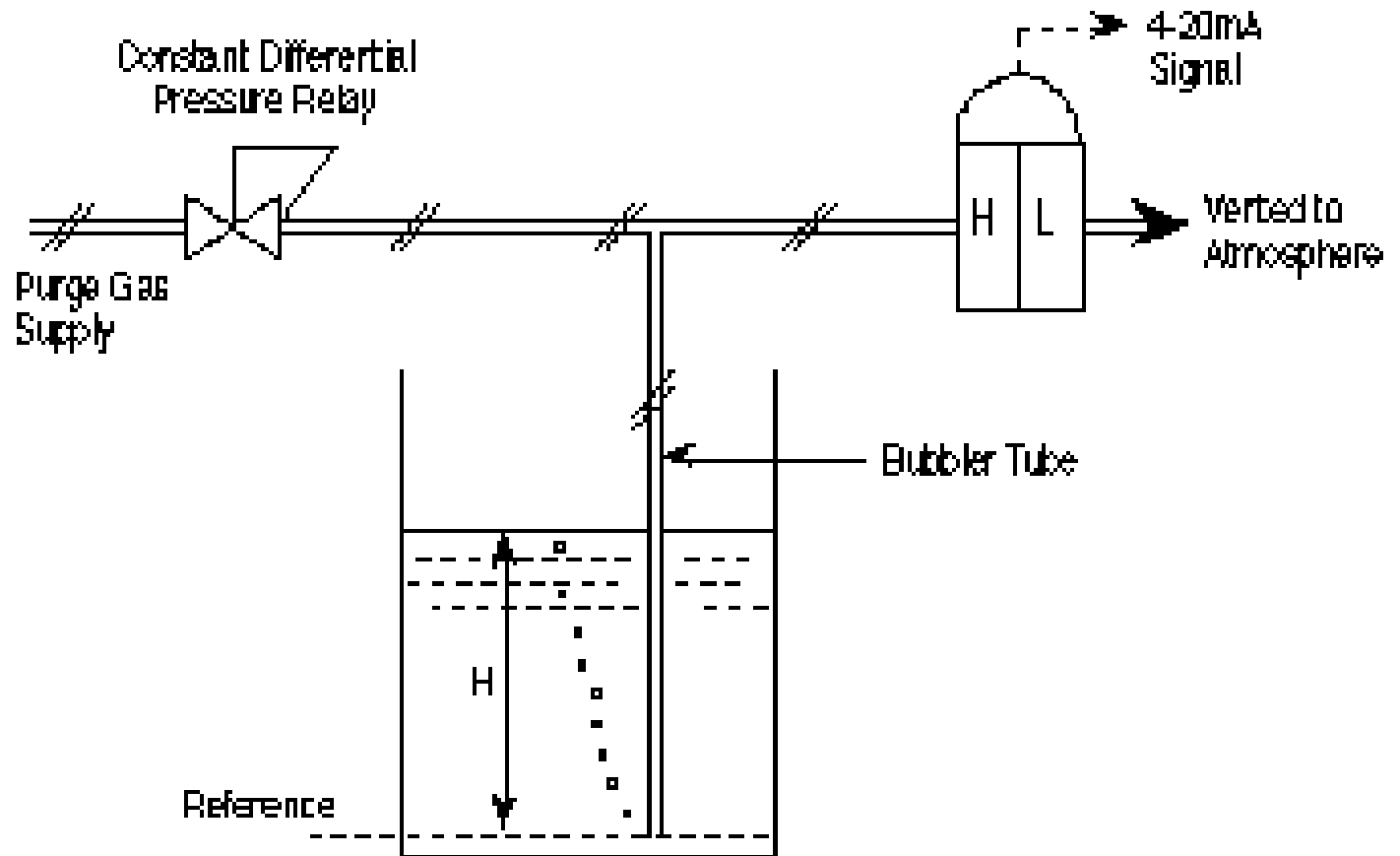
Zero Suppression



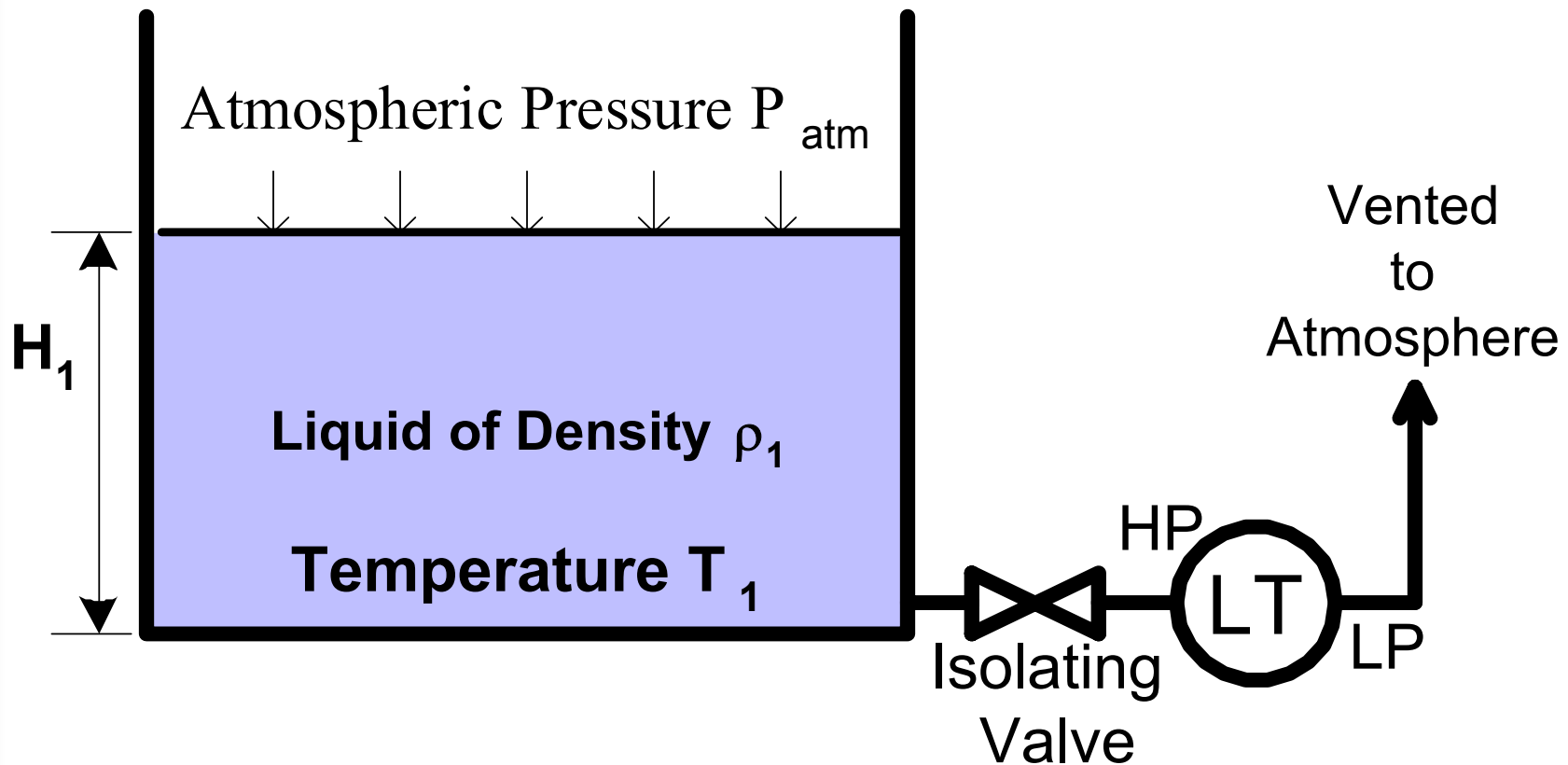
Zero Elevation



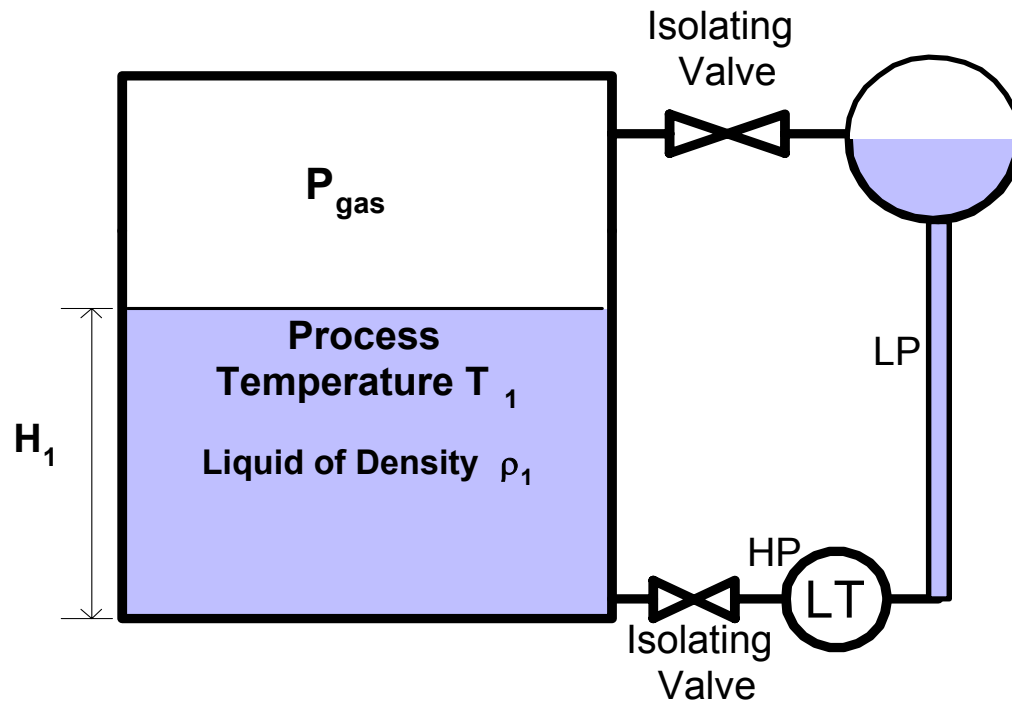
Bubblers



Effect of Temperature



Temp. Effects in a Wet Leg





Abnormalities

- Transmitter installed backwards
- Over Pressure
- Sensing Lines
 - Blocked
 - Drained



For you to do.

- Read pp. 33-49
- Answer Questions pp. 85-86, #15-24