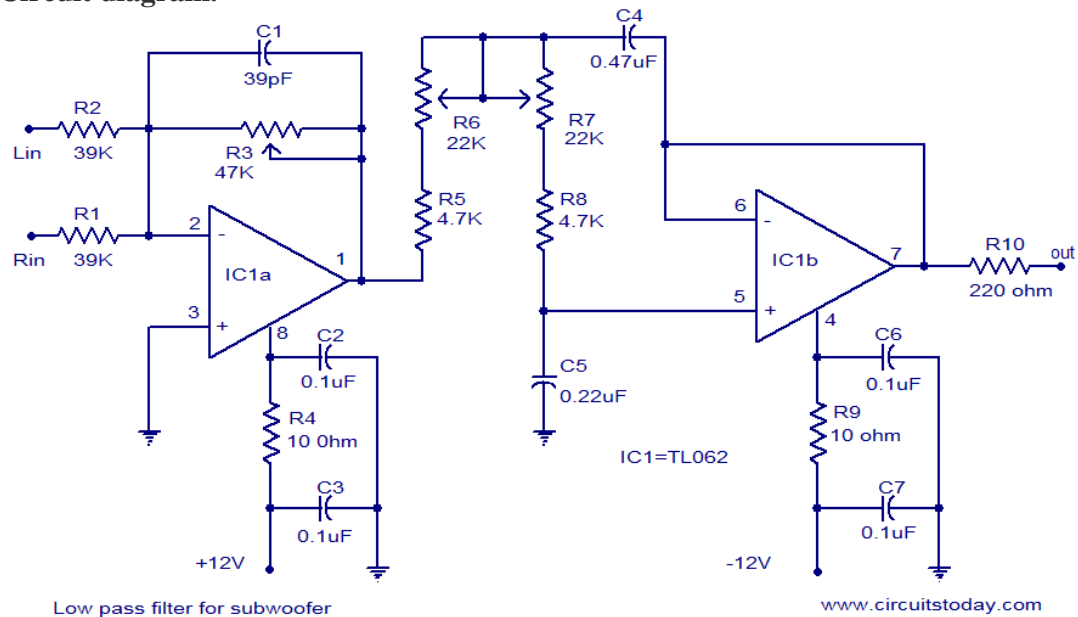


LOW PASS FILTER FOR SUBWOOFER

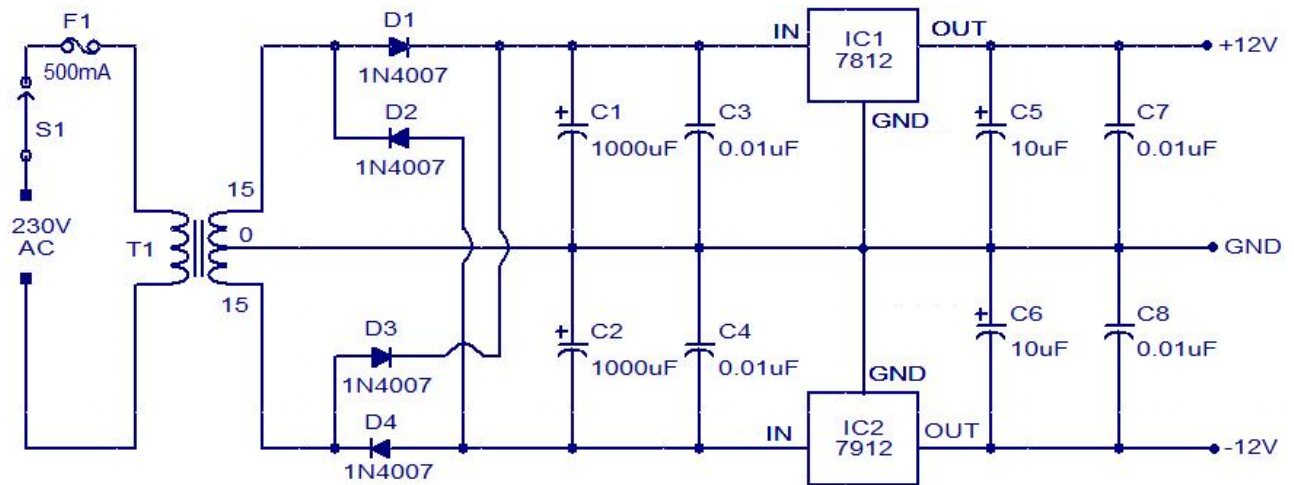
Description.

Many low pass filter circuits for subwoofer are given here and this is just another one. The circuit given here is based on the opamp TL062 from ST Micro electronics. TL062 is a dual high input impedance J-FET opamp which has very low power consumption and high slew rate. The opamp has excellent audio characteristics and is very suitable for this circuit. Out of the two opamps inside TLC062, first one is wired as the mixer cum pre amplifier stage. The left and right channel are connected to the inverting input of IC1a for mixing. The gain of first stage can be adjusted using POT R3. The output of the first stage is connected to the input of second stage through the filter network comprising of components R5, R6, R7, R8, C4 and C5. The second opamp (IC1b) serves as a buffer and the filtered output is available at the pin 7 of the TLC062.

Circuit diagram.



Power supply for the circuit.



Regulated dual power supply

www.circuitstoday.com

Notes.

- ☐ Assemble the circuit on a good quality PCB.
- ☐ The circuit can be powered from a +12/-12 V DC dual power supply.
- ☐ IC1 must be mounted on a holder.

Source : <http://www.circuitstoday.com/low-pass-filter-for-subwoofer>