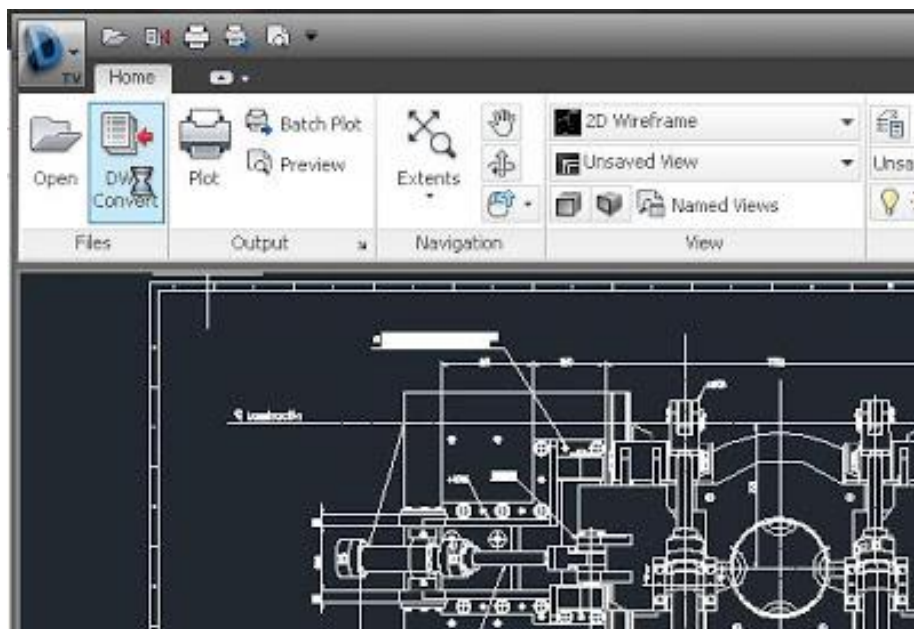


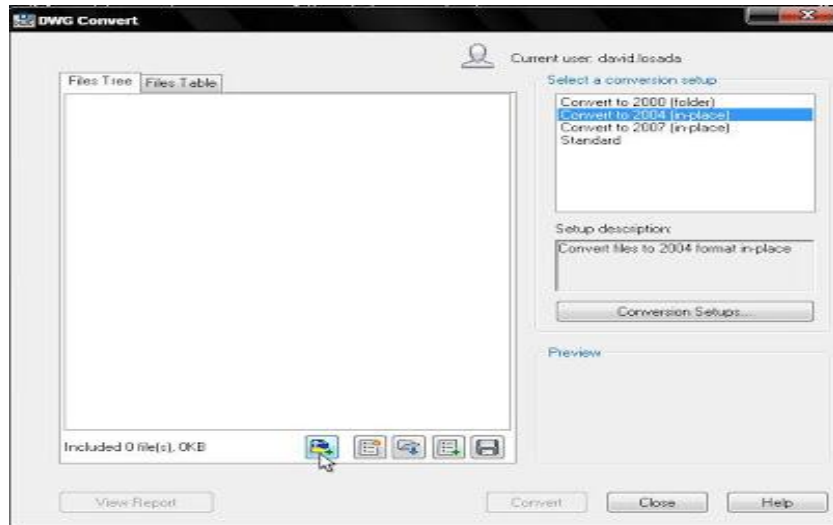
BATCH CONVERSION AUTOCAD DRAWINGS TO DIFFERENT VERSIONS

Using Autodesk DWG Trueview 2012, free to use for viewing developed plans in AutoCAD, we can also convert between different versions if we only license for an older version (apart from that we can always turn to a universal format dxf).

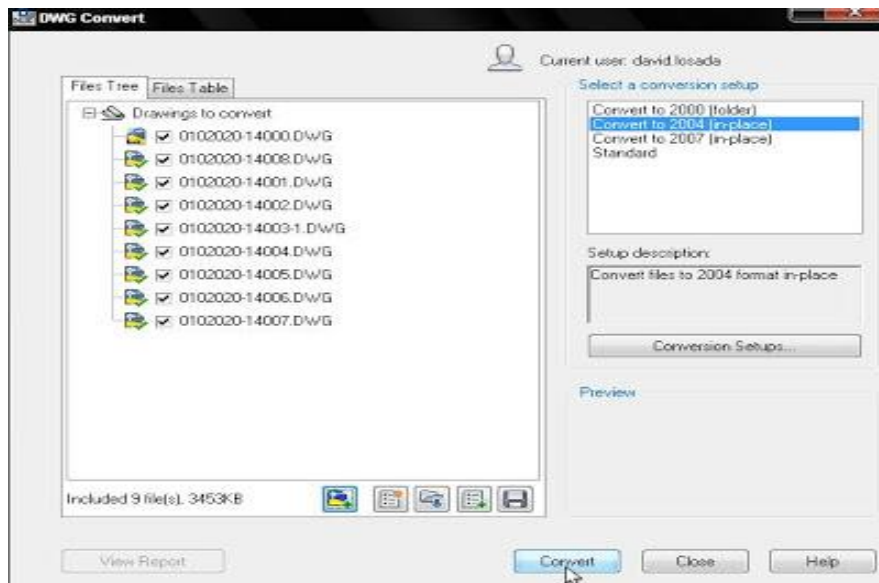
First install and open the application, clicking on the "DWG Convert" icon:



Add planes to convert as many as you want, with the button indicated by the cursor:



Top right select the version you want to convert (the 2004 is one of the most used, recommended):



Highlight your turn, and you're done! The program will be keeping a version in that format of each added plane.

Source: <http://crecimiento-sostenible.blogspot.in/2014/10/batch-conversion-autocad-drawings-to.html>